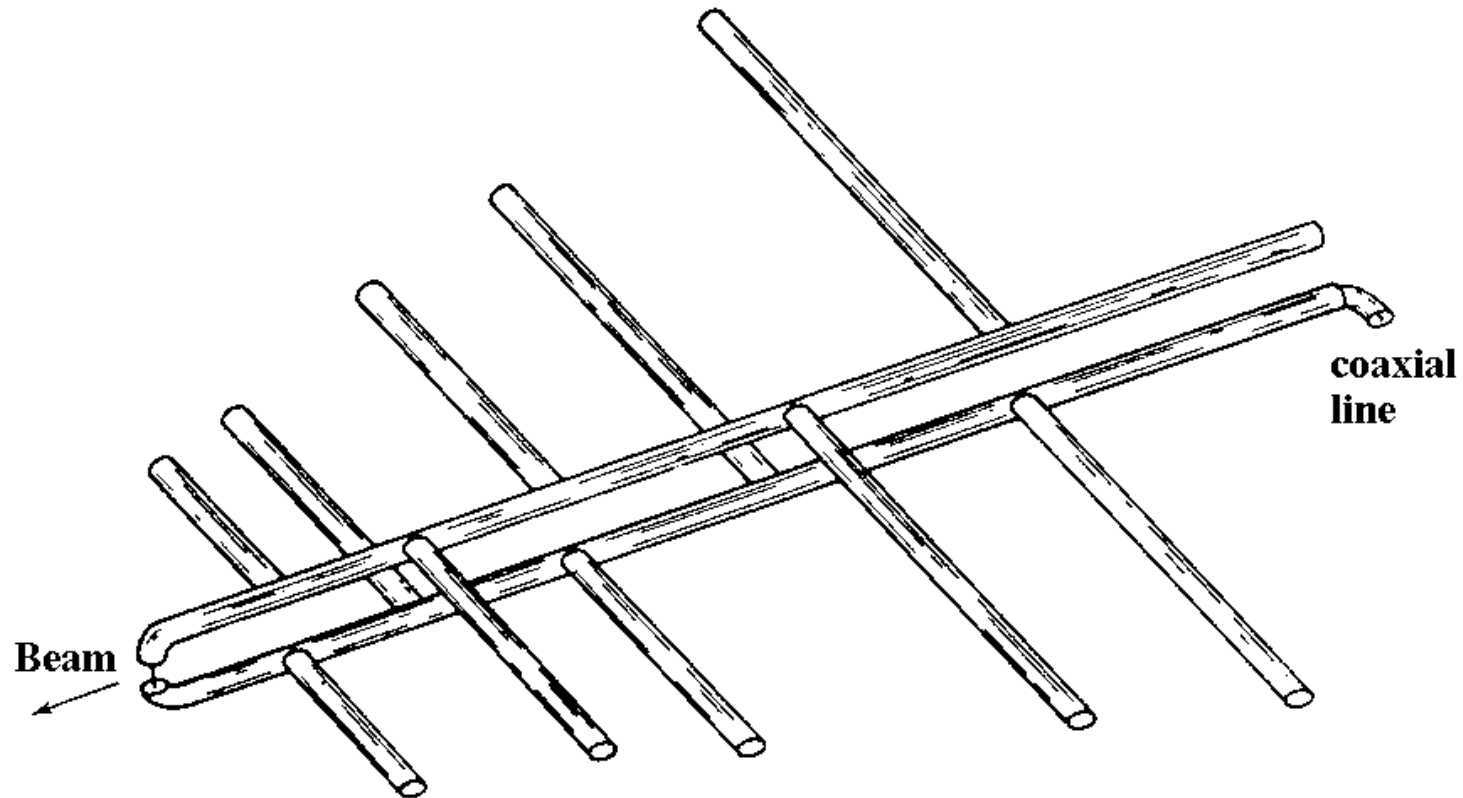


Log-Periodic Dipole Array (LPDA)



Log-Periodic Dipole Array with a coaxial feed (typically 50Ω or 75Ω).
[Kraus, Figure 15-13a, p. 708]

LPDA Design Procedure

➤ Based on work of R. E. Carrel.

1. Select or specify design parameters
 - a. Desired directivity (gain)
 - b. Frequency range (f_{high} and f_{low})
 - c. Desired input impedance R_0 (real)
2. Use graph [Antenna Theory (4e), Balanis, Figure 11.13, p. 609], which shows contours of constant directivity versus σ (relative spacing) and τ (scale factor), to select σ and τ for the desired directivity.
3. Calculate the apex half angle α using-

$$\alpha = \tan^{-1} \left(\frac{1 - \tau}{4\sigma} \right)$$

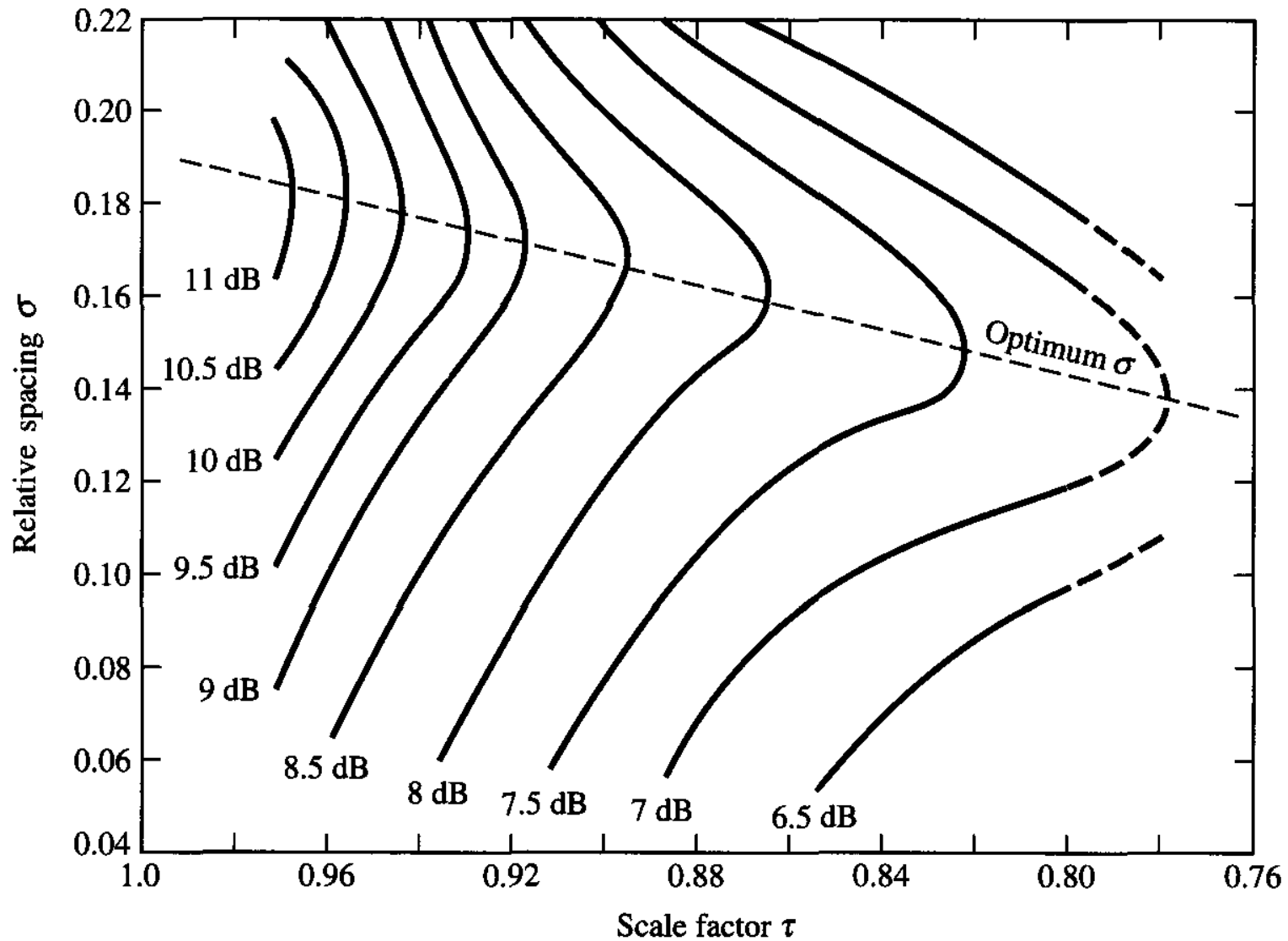
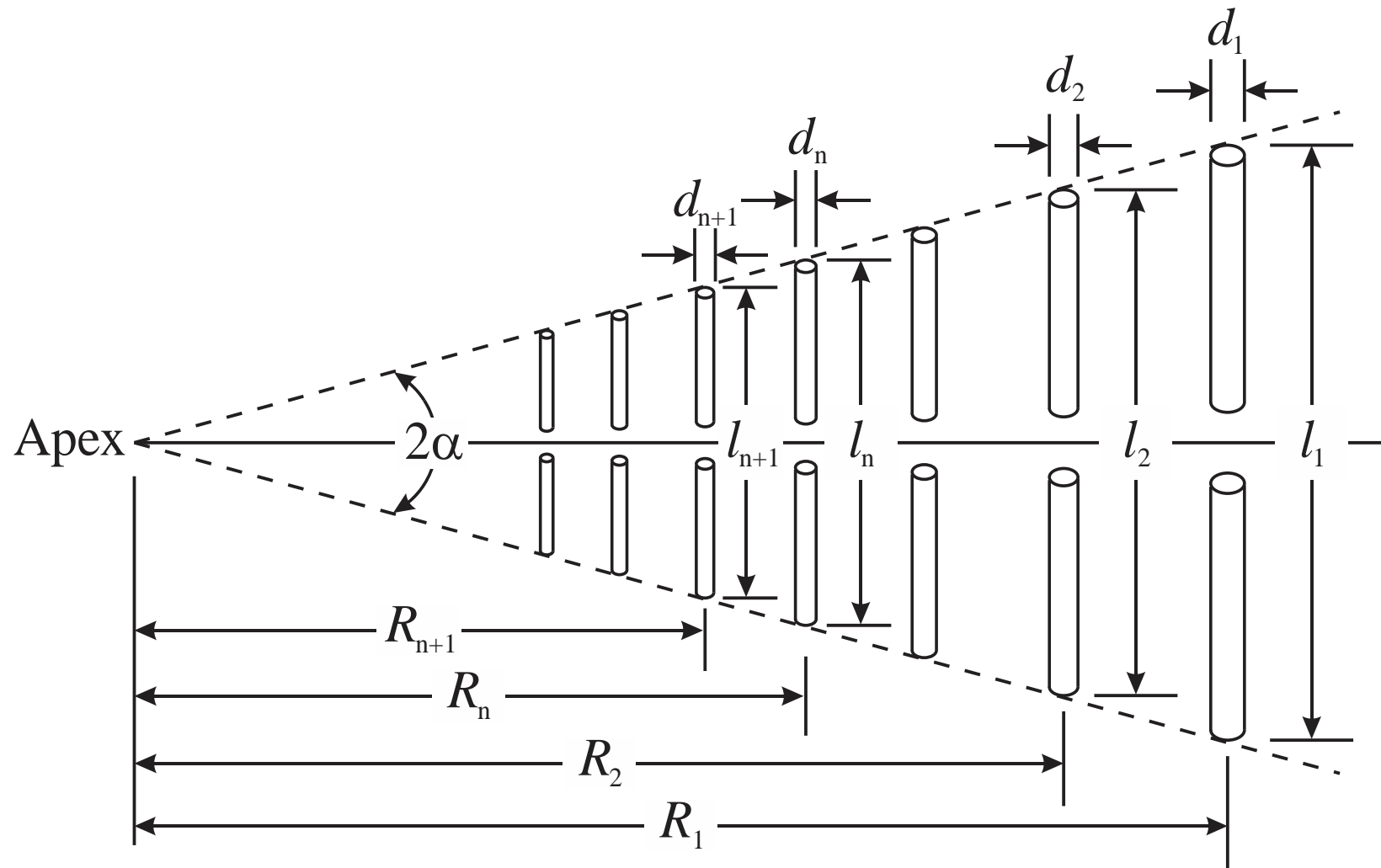


Figure 11.13 Computed Contours of constant directivity versus σ and τ for log periodic dipole arrays. [Antenna Theory (4e), Balanis, p. 609]

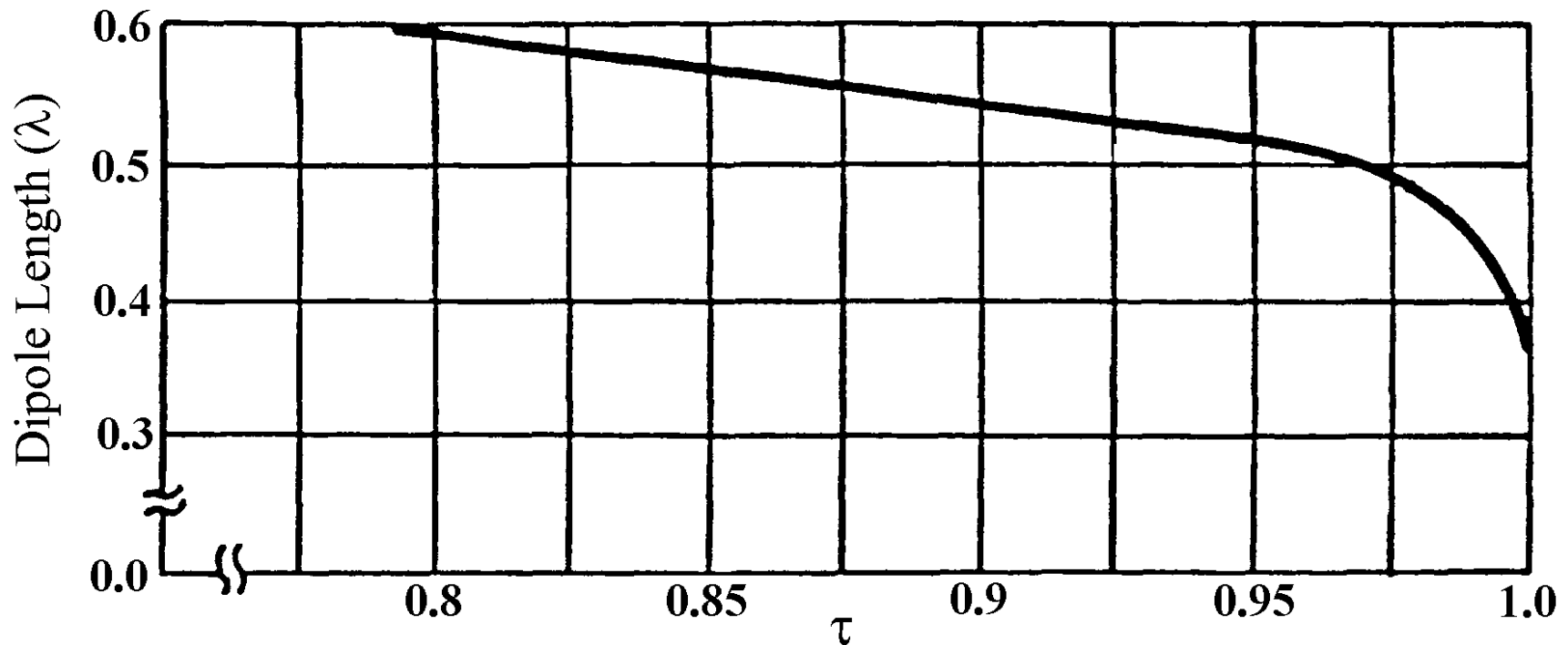


LPDA Geometry

(Note: For this design procedure, start count of elements with the longest.)

4. Find length l_1 of the **longest** element.

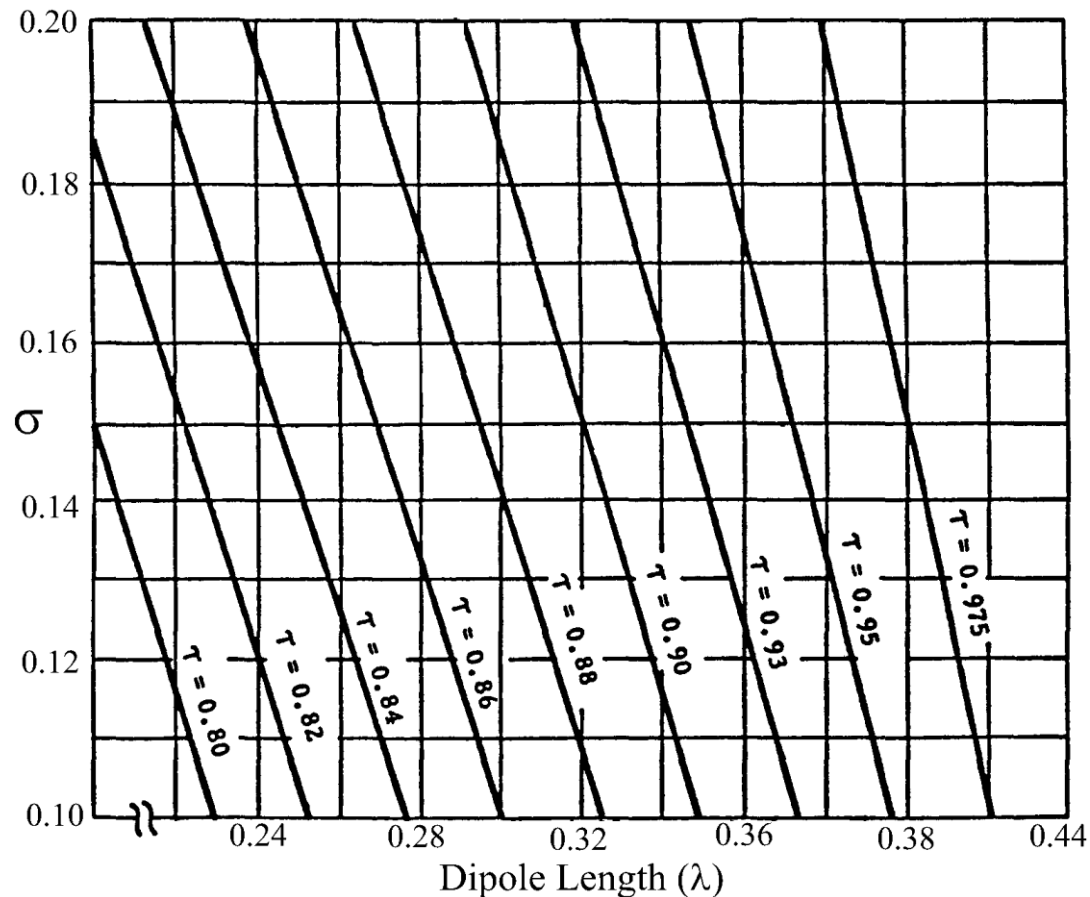
- Get length in wavelengths from graph if using **optimum** (or close to optimum) σ and τ ; otherwise,
- use $\lambda_{\max} / 2$ where $\lambda_{\max} = c / f_{\text{low}}$ is the wavelength at the lowest frequency in the desired frequency range.



Measured length, normalized by λ_{\max} , of longest dipole in LPDA versus optimum σ & τ .

5. Find length l_N of the **shortest** element.

- Get length in wavelengths from graph where $\lambda_{\min} = c / f_{\text{high}}$ is the wavelength at the highest frequency in the desired frequency range. This length will be used to know when to truncate (stop) the LPDA. It may or may not be the actual length of the smallest element.



Estimated length, normalized by λ_{\min} , of shortest dipole in LPDA versus σ and τ .

6. Calculate location R_1 of **longest** element (as measured from the apex)-

$$R_1 = \frac{l_1}{2} \cot(\alpha)$$

7. Calculate the total bandwidth B_s , includes additional bandwidth B_{ar} due to active region, using the specified bandwidth $B = f_{\text{high}} / f_{\text{low}}$.

$$B_{ar} = 1.1 + 7.7 (1-\tau)^2 \cot(\alpha)$$

$$B_s = B \cdot B_{ar} = B [1.1 + 7.7 (1-\tau)^2 \cot(\alpha)]$$

8. Calculate the approximate number N of elements required for design.

$$N = 1 + \log_{10}(B_s) / \log_{10}(1/\tau) = 1 + \ln(B_s) / \ln(1/\tau)$$

9. Calculate the approximate distance L_T between the longest and shortest elements.

$$L_T = \frac{l_1}{2} \left(1 - \frac{1}{B_s} \right) \cot(\alpha) = \frac{\lambda_{\text{max}}}{4} \left(1 - \frac{1}{B_s} \right) \cot(\alpha)$$

10. Calculate the location R_2 (from the apex) and length l_2 of the second longest element using the scale factor τ , R_1 , and l_1 -

$$\text{e.g., } R_2 = R_1 \tau \quad \& \quad l_2 = l_1 \tau$$

11. Recursively calculate the location R_{n+1} and length l_{n+1} of the $(n+1)^{\text{th}}$ element(s) using the scale factor τ , R_n , and l_n -

$$\text{e.g., } R_{n+1} = R_n \tau \quad \& \quad l_{n+1} = l_n \tau.$$

Stop when l_{n+1} is less than or equal to l_N (calculated in step 5.).

12. Count actual number of elements and calculate actual length of LPDA (compare to approximate calculations in steps 8. & 9.).
13. Select a length to diameter ratio $K = l/d$ for the elements of the LPDA. This choice is a compromise between mechanical strength for the largest and smallest elements, available tubing sizes, and the selected diameter of the boom.

Available tubing/pipe/rod sizes

Nominal Diameter		Outer Diameter*	
(inches)	(cm)	(inches)	(cm)
3/32	0.238125	3/32	0.238125
1/8	0.3175	1/8	0.3175
5/32	0.397	5/32	0.397
3/16	0.476	3/16	0.476
7/32	0.556	7/32	0.556
1/4	0.635	1/4	0.635
9/32	0.714	9/32	0.714
5/16	0.794	5/16	0.794
11/32	0.873	11/32	0.873
3/8	0.9525	3/8	0.9525
13/32	1.032	13/32	1.032
7/16	1.111	7/16	1.111
1/2	1.27	1/2	1.27
1/2	1.27	9/16	1.429
1/2	1.27	5/8	1.5875
3/4	1.905	7/8	2.223

* For brass tubing/pipe/rods, the nominal or outer diameters are the same (wall thickness negligible). For copper pipes, the wall thickness is substantial and should be measured as it varies between manufacturers.

14. Calculate the diameter d_n for each element. Then, select the closest available tube/pipe/rod diameter to the calculated value.

$$d_n = l_n / K$$

15. Calculate the actual length to diameter ratio K_n for each element and the average length to diameter ratio K_{ave} after quantization. Check for unusually large deviations from desired K (may want to go back to step 13. and select another value of K).
16. Calculate the approximate average characteristic impedance of the active region elements-

$$Z_a = 60 \ln(2 X K_{ave} / \pi)$$

where $X = 8 \tau \sigma / (1 + \tau)$.

17. Find the characteristic impedance of the unloaded transmission line Z_0 for the desired input impedance R_0 -

$$Z_0 = \frac{R_0^2}{4Z_a X} + R_0 \sqrt{\left(\frac{R_0}{4Z_a X}\right)^2 + 1}$$

18. Calculate the **center-to-center** spacing S of the booms using the unloaded, cylindrical, twin-lead transmission line formula-

$$S = D \cosh(Z_0/120)$$

where D is the diameter of the booms (assumed to be identical). The air gap Δ_{gap} between the inner surfaces of the booms is $\Delta_{\text{gap}} = S - D$.