

Sequential Circuit example (Figure 5.15 of text)

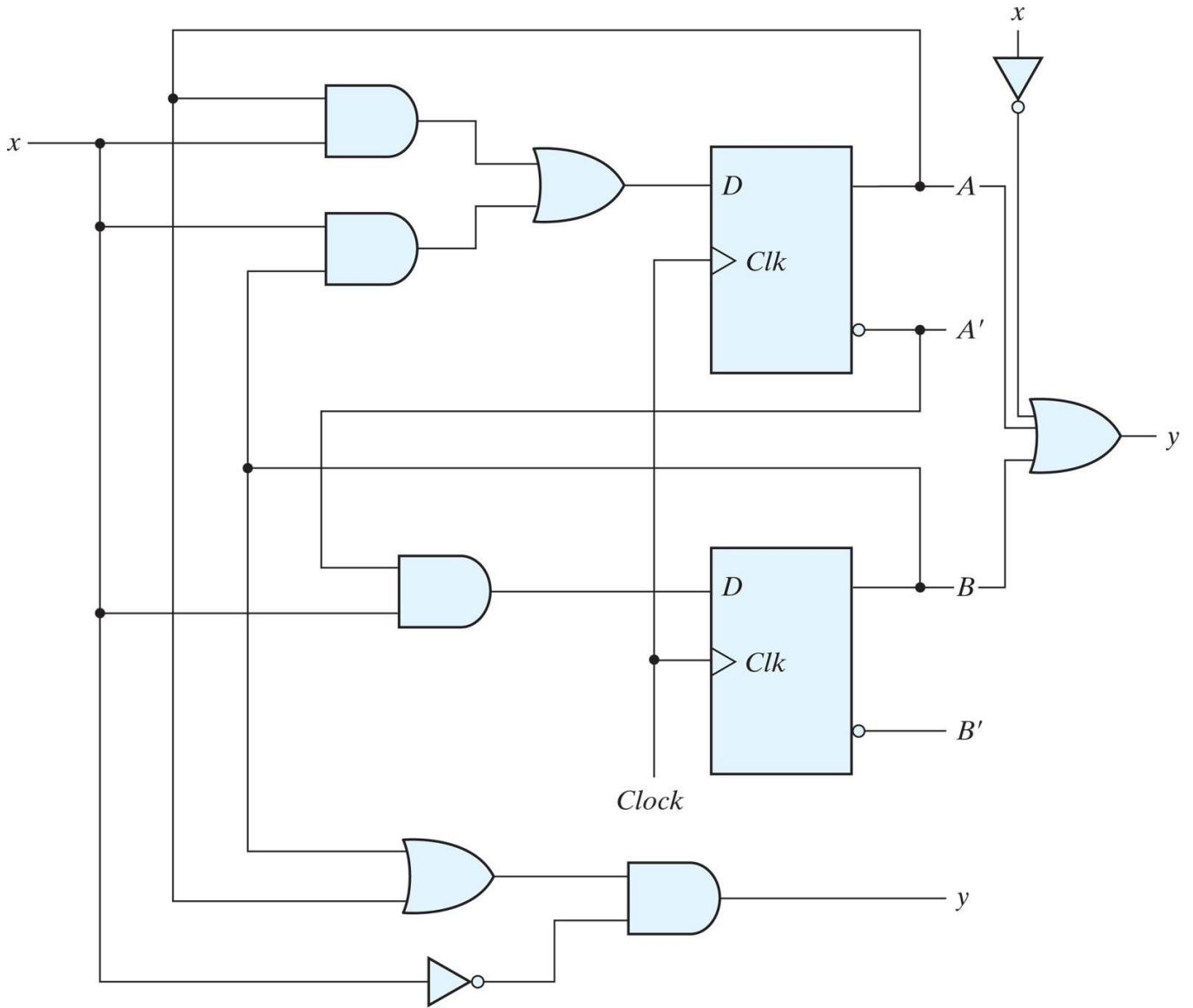


Table 5.2
State Table for the Circuit of Fig. 5.15

Present State		Input	Next State		Output
A	B		A	B	
0	0	0	0	0	0
0	0	1	0	1	0
0	1	0	0	0	1
0	1	1	1	1	0
1	0	0	0	0	1
1	0	1	1	0	0
1	1	0	0	0	1
1	1	1	1	0	0

Copyright ©2012 Pearson Education, publishing as Prentice Hall

Table 5.3
Second Form of the State Table

Present State		Next State				Output	
A	B	x = 0		x = 1		y	y
		A	B	A	B		
0	0	0	0	0	1	0	0
0	1	0	0	1	1	1	0
1	0	0	0	1	0	1	0
1	1	0	0	1	0	1	0

Copyright ©2012 Pearson Education, publishing as Prentice Hall