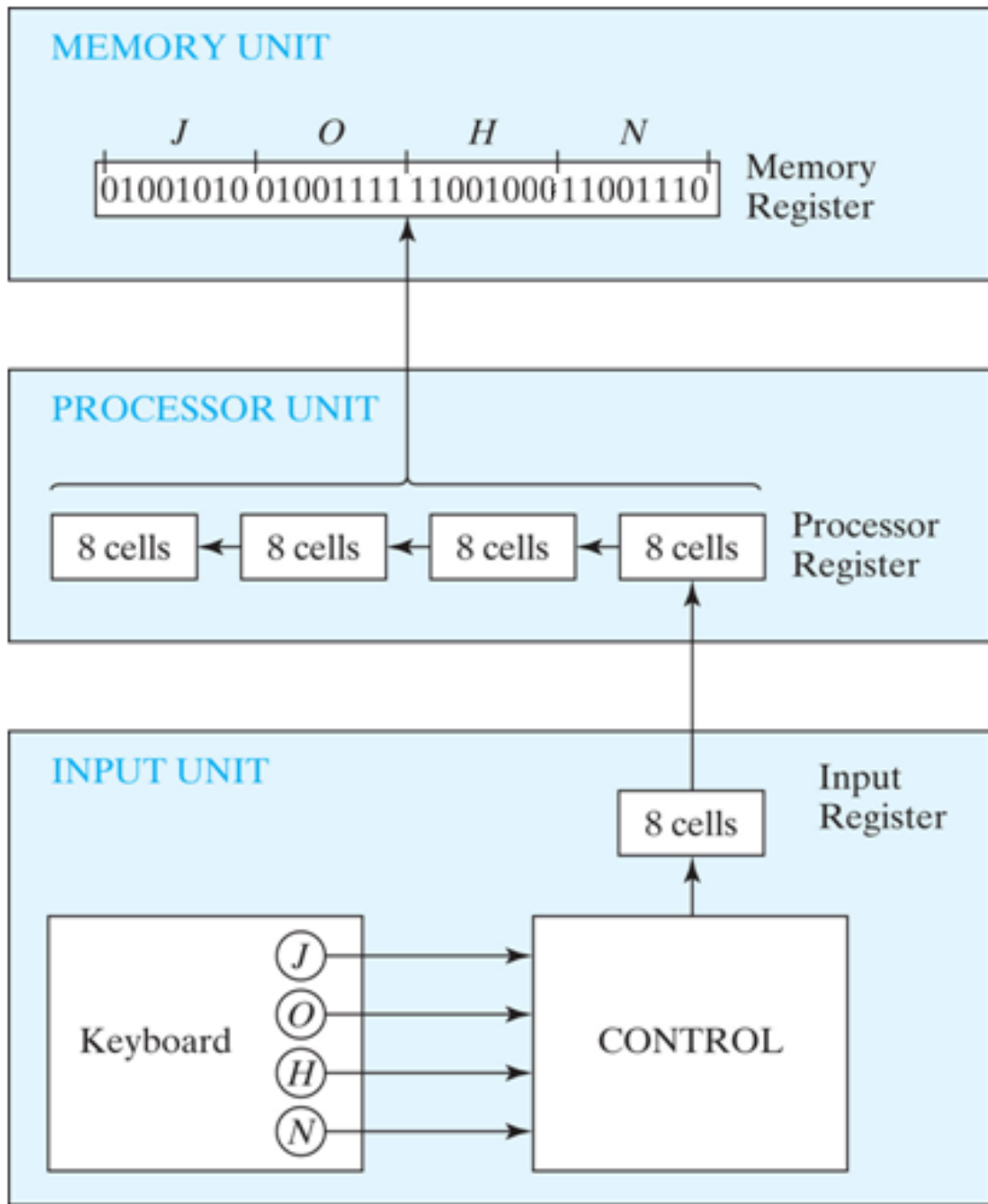


Register Transfer Example (Figure 1.1 of text)



Copyright ©2013 Pearson Education, publishing as Prentice Hall

Note: The ASCII characters have a parity bit in left position (odd 1s parity).