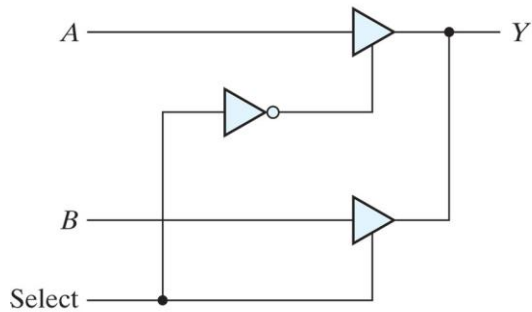
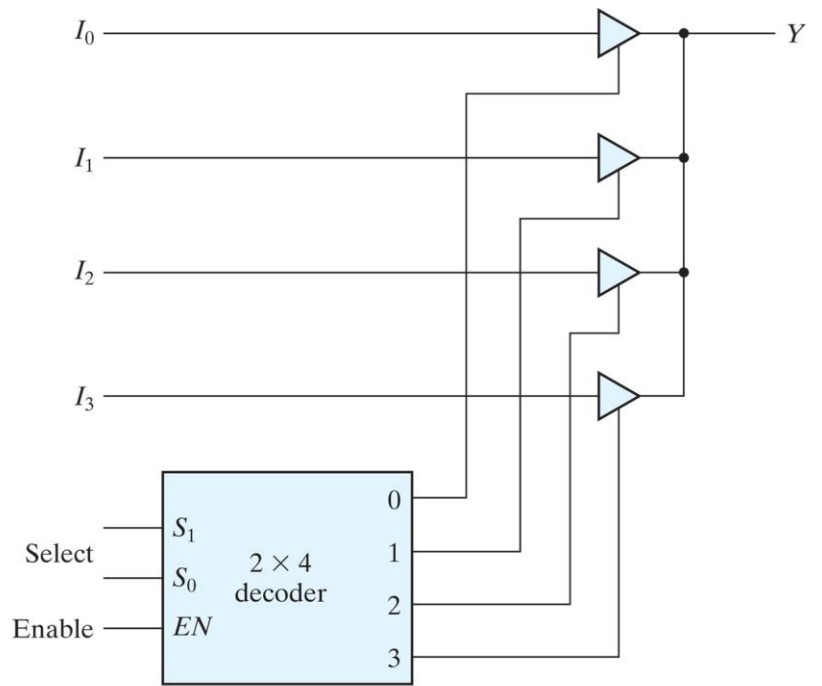


Multiplexers using 3-state buffers (Figure 4.30)



(a) 2-to-1-line mux



(b) 4-to-1-line mux