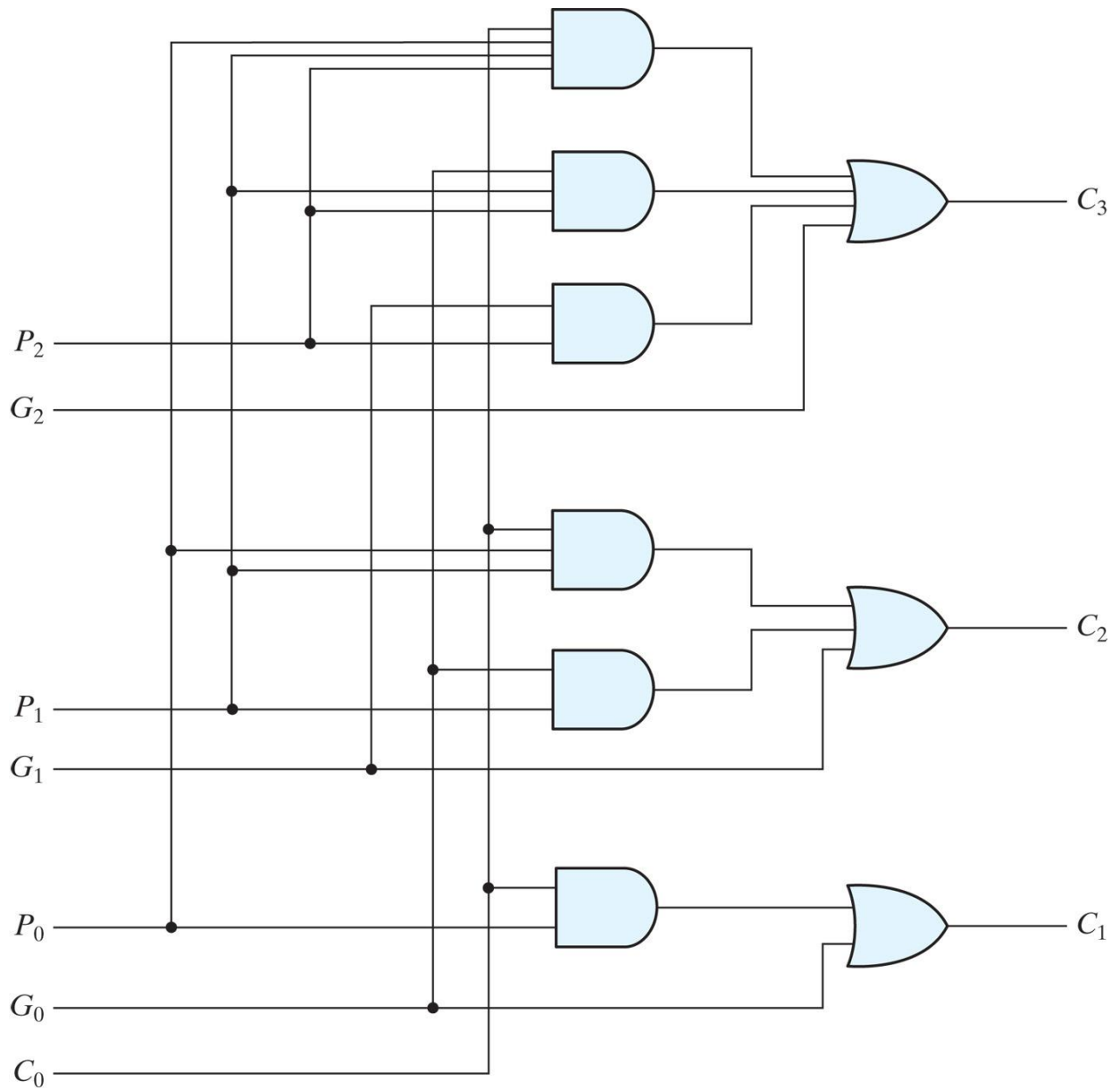


Carry lookahead generator (Fig. 4.11)



Four-bit adder with carry lookahead (Fig. 4.12)

