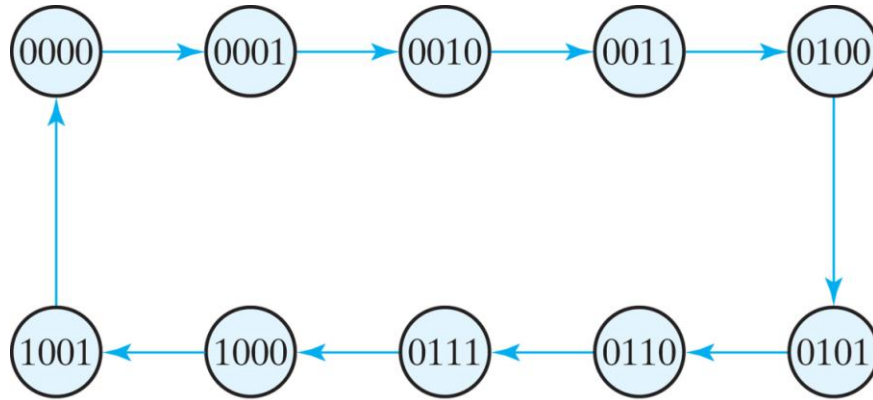
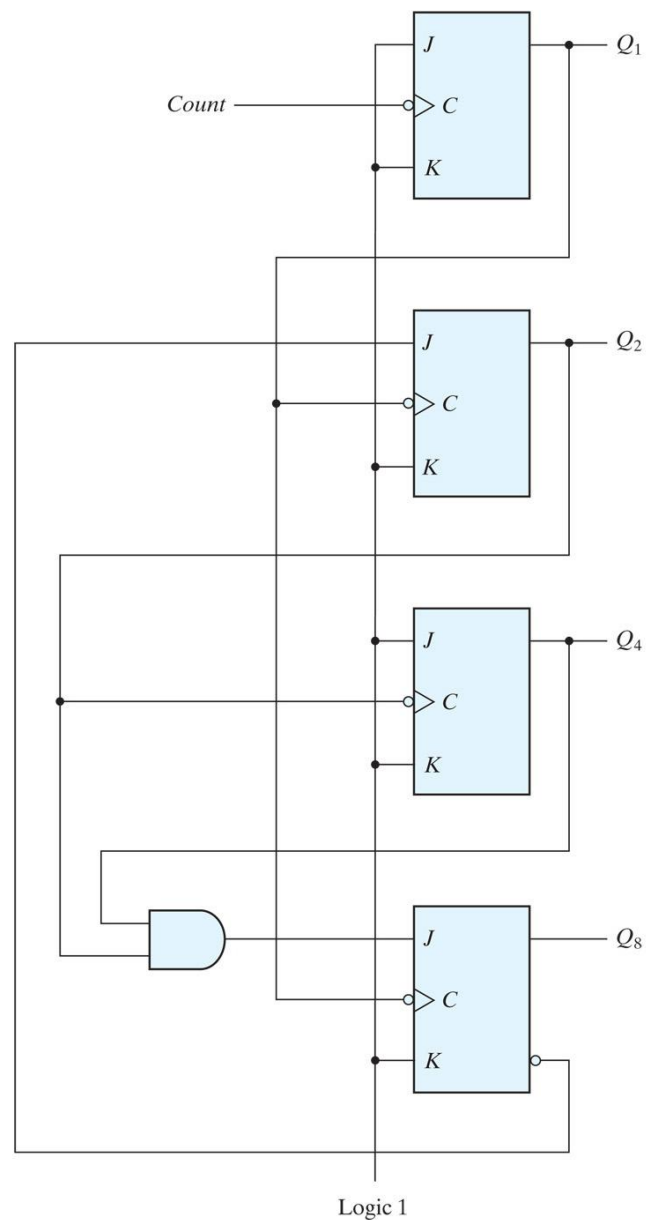


### 4-bit BCD ripple counter (Figure 6.9 & 6.10 of text)



Copyright ©2013 Pearson Education, publishing as Prentice Hall



Copyright ©2013 Pearson Education, publishing as Prentice Hall

**Three-decade decimal BCD ripple counter (Figure 6.11 of text)**

