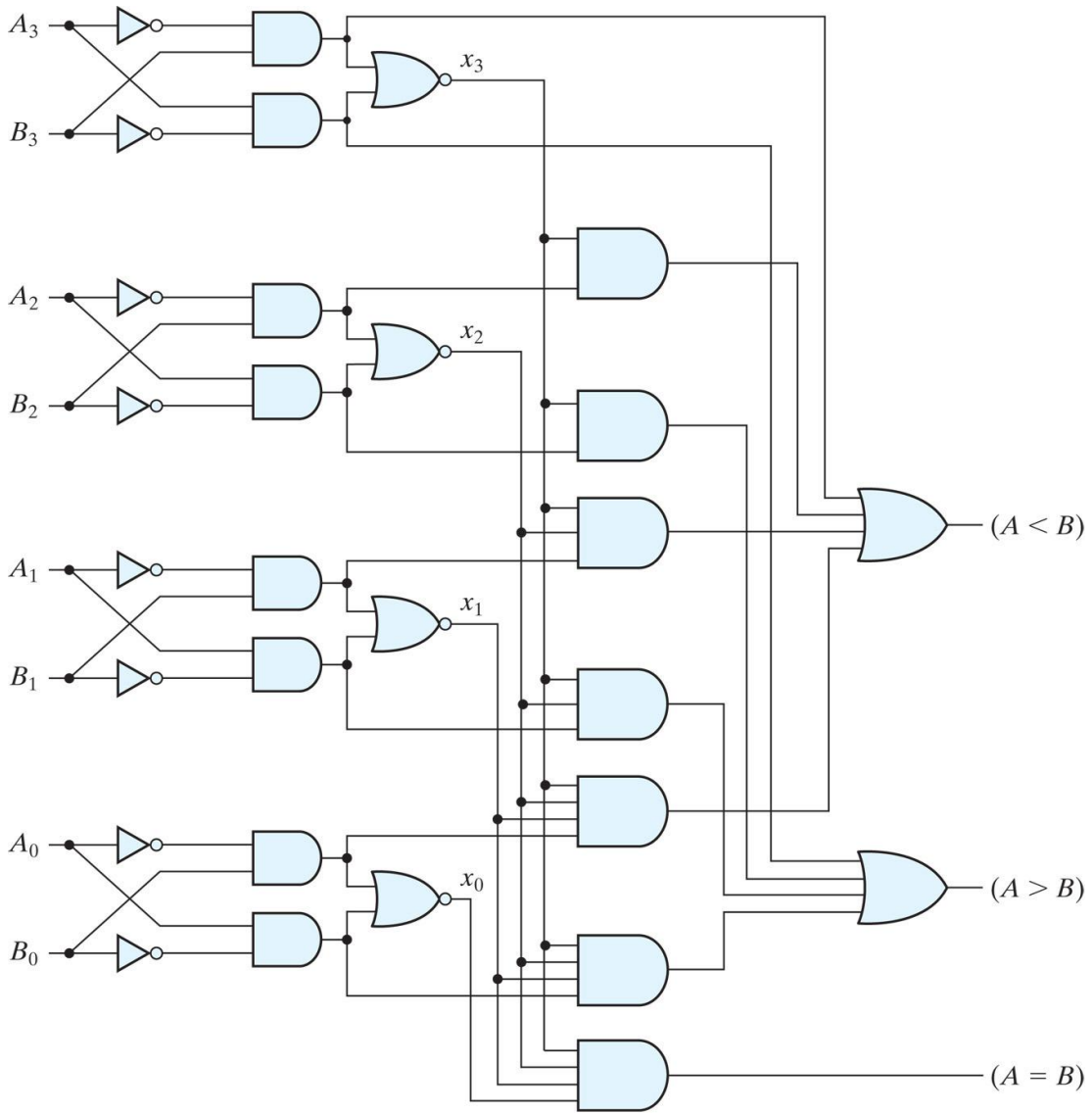


4-bit Magnitude Comparator (Figure 4.17)



Copyright ©2013 Pearson Education, publishing as Prentice Hall

Note: There is a definite pattern as we progress from the most significant to least significant bits. Easy to extend this circuit to more bits.