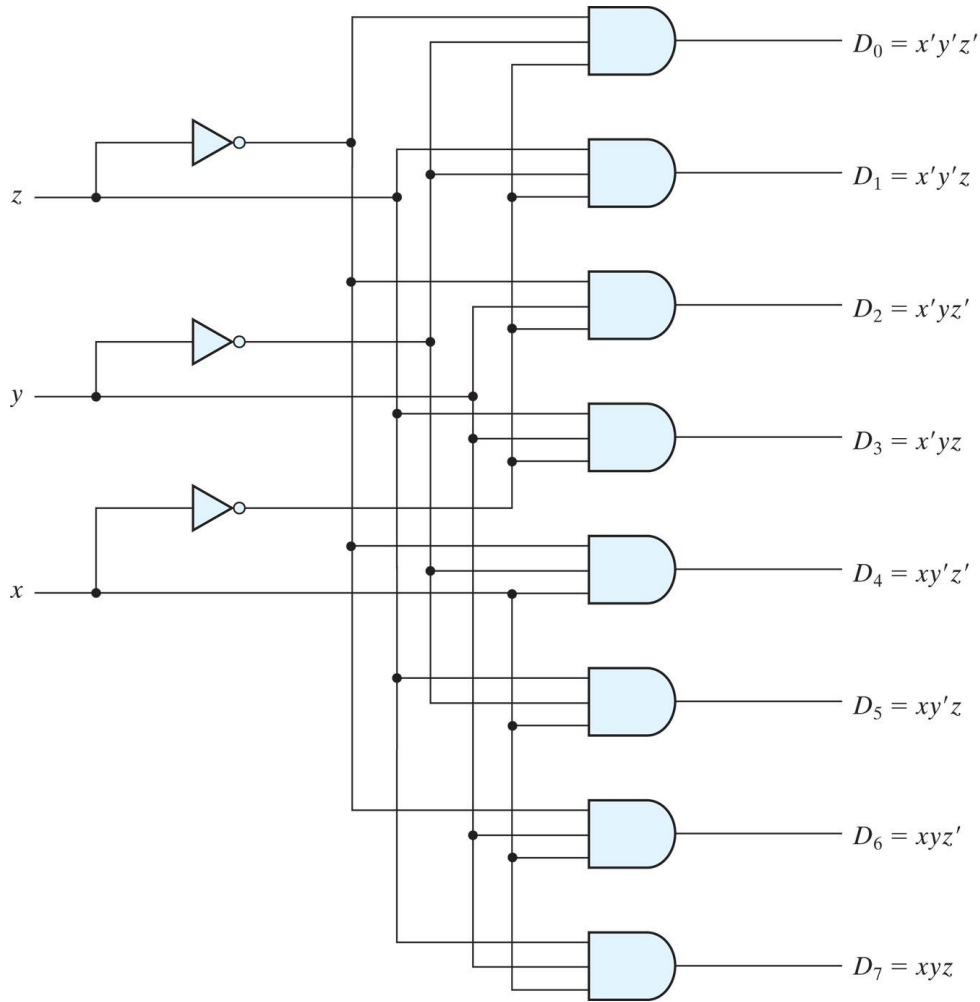


### 3-to-8-line decoder (Figure 4.18)



Copyright ©2013 Pearson Education, publishing as Prentice Hall

**Table 4.6**  
*Truth Table of a Three-to-Eight-Line Decoder*

Inputs			Outputs							
<i>x</i>	<i>y</i>	<i>z</i>	<i>D</i> <sub>0</sub>	<i>D</i> <sub>1</sub>	<i>D</i> <sub>2</sub>	<i>D</i> <sub>3</sub>	<i>D</i> <sub>4</sub>	<i>D</i> <sub>5</sub>	<i>D</i> <sub>6</sub>	<i>D</i> <sub>7</sub>
0	0	0	1	0	0	0	0	0	0	0
0	0	1	0	1	0	0	0	0	0	0
0	1	0	0	0	1	0	0	0	0	0
0	1	1	0	0	0	1	0	0	0	0
1	0	0	0	0	0	0	1	0	0	0
1	0	1	0	0	0	0	0	1	0	0
1	1	0	0	0	0	0	0	0	1	0
1	1	1	0	0	0	0	0	0	0	1

Copyright ©2012 Pearson Education, publishing as Prentice Hall