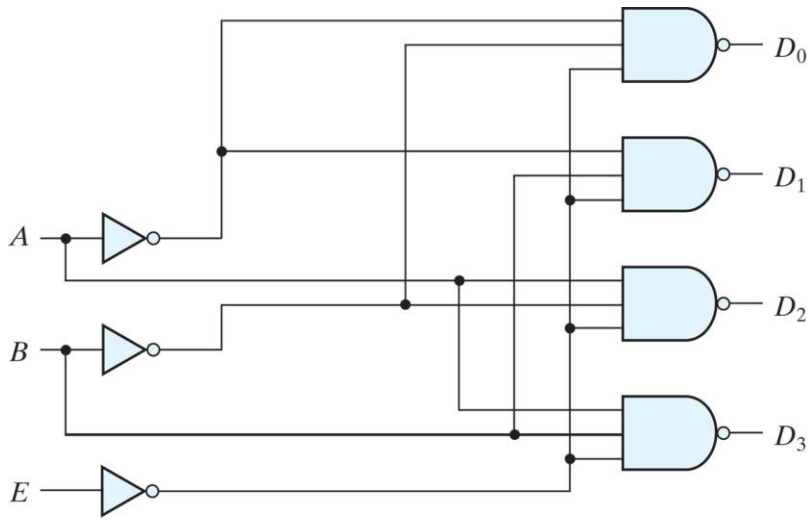


## 2-to-4-line decoder with enable input (Figure 4.19)



(a) Logic diagram

<i>E</i>	<i>A</i>	<i>B</i>	<i>D</i> <sub>0</sub>	<i>D</i> <sub>1</sub>	<i>D</i> <sub>2</sub>	<i>D</i> <sub>3</sub>
1	<i>X</i>	<i>X</i>	1	1	1	1
0	0	0	0	1	1	1
0	0	1	1	0	1	1
0	1	0	1	1	0	1
0	1	1	1	1	1	1

(b) Truth table